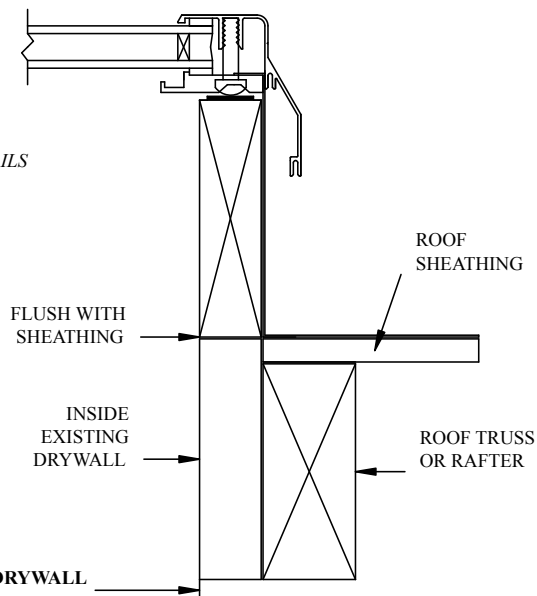


STANDARD - NEW CONSTRUCTION
 (ORDER BY ROUGH OPENING (R.O.))
 Unit outside dimensions will be 1/2" smaller than the (R.O.) for clearance



FLUSH NO GROOVE - REMODELING
 (ORDER BY INSIDE DRYWALL DIMENSION)
 Unit inside dimensions will be same as inside drywall dimension to minimize trimming out

Model: A x B F, [Glz], [Finish]



TITLE: STARLIGHT SKYLIGHTS; FIXED PREMIUM RESIDENTIAL SKYLIGHT

Date:	May 01, 2003	
Drawn By:	AP	Sheet:
Rev. By:	CRH	1 of 1
Engineer:	CRH	

ORCA Manufacturing, Inc.
 P.O. Box 2186
 Easton, MD 21601
 Phone: 800-776-1539