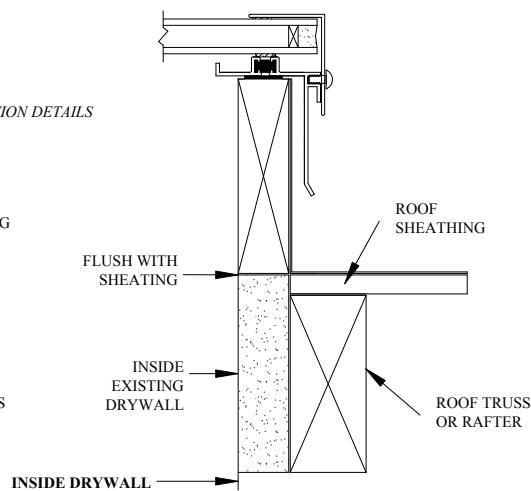


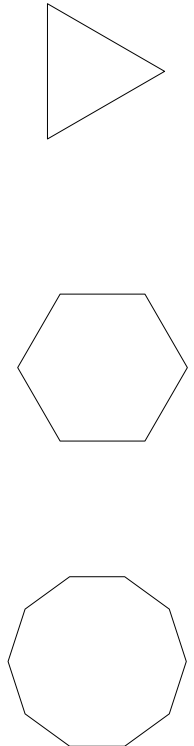
STANDARD - NEW CONSTRUCTION

(ORDER BY ROUGH OPENING (R.O.))
Unit outside dimensions will be 1/2" smaller than the (R.O.) for clearance



FLUSH NO GROOVE - REMODELING

(ORDER BY INSIDE DRYWALL DIMENSION)
Unit inside dimensions will be same as inside drywall dimension to minimize trimming out



Model: A x B F, [Glz], [Finish] ; Shape



TITLE: STARLIGHT SKYLIGHTS; SHAPED MODEL

Date: May 01, 2003

Drawn By: AP

Sheet:

Rev. By: CRH

1 of 1

Engineer: CRH

ORCA Manufacturing, Inc.
P.O. Box 2186
Easton, MD 21601
Phone: 800-776-1539