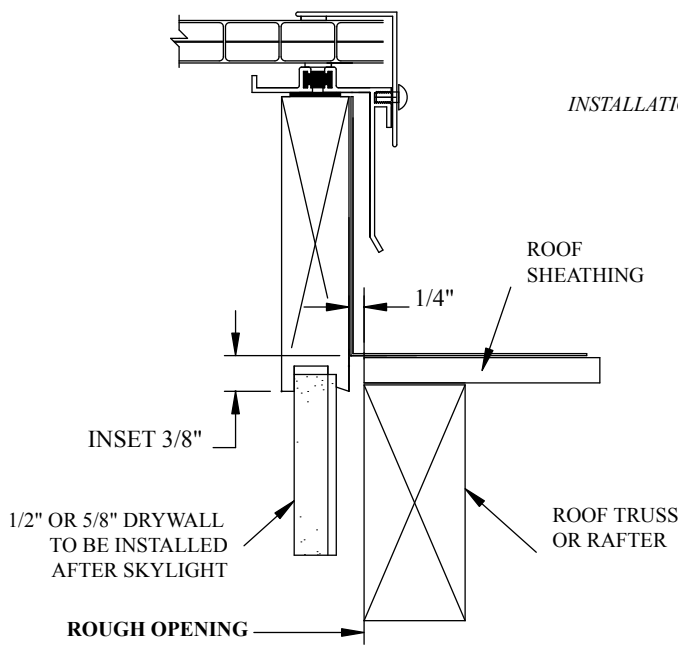
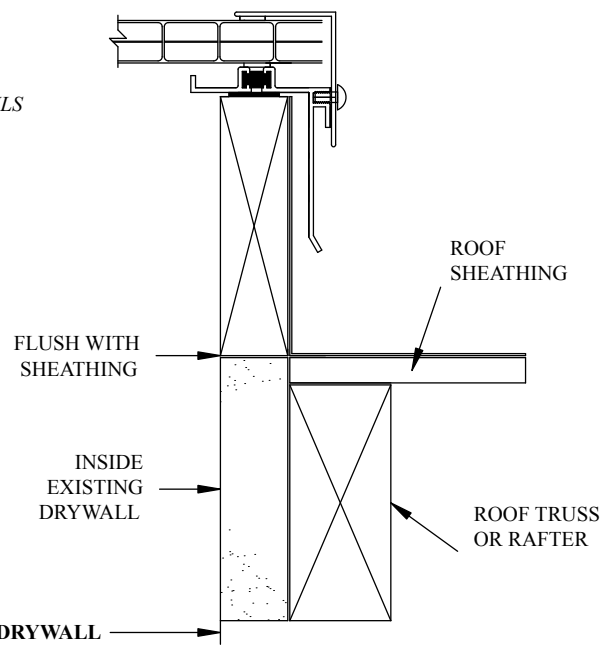


INSTALLATION DETAILS



STANDARD - NEW CONSTRUCTION
(ORDER BY ROUGH OPENING (R.O.))

Unit outside dimensions will be 1/2" smaller than the (R..O.) for clearance



FLUSH NO GROOVE - REMODELING
(ORDER BY INSIDE DRYWALL DIMENSION)

Unit inside dimensions will be same as inside drywall dimension to minimize trimming out

Model: A x B F-EP, [Glz], [Finish]



TITLE: FIXED EXTRUDED POLYCARBONATE PREMIUM RESIDENTIAL SKYLIGHT

Date:	May 01, 2003	
Drawn By	AP	Sheet:
Rev. By	CRH	1 of 1
Engineer:	CRH	

ORCA Manufacturing, Inc.
P.O. Box 2186
Easton, MD 21601
Phone: 800-776-1539