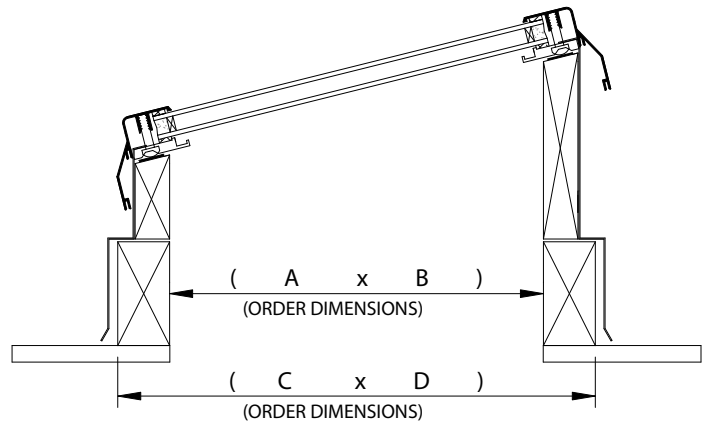
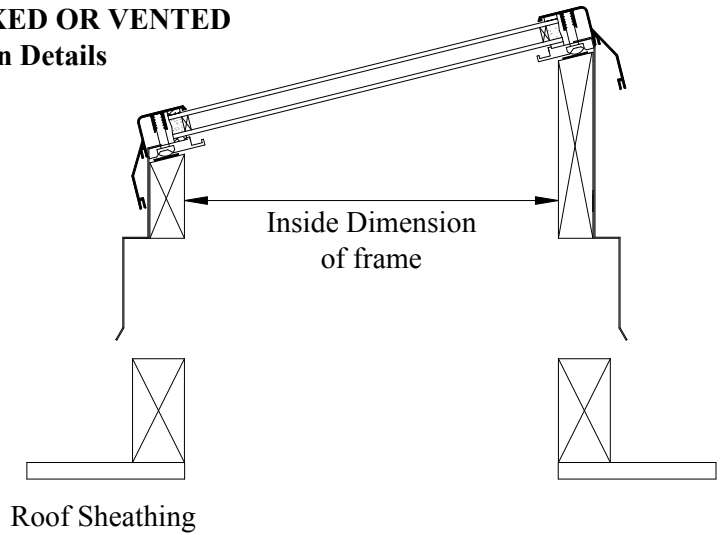
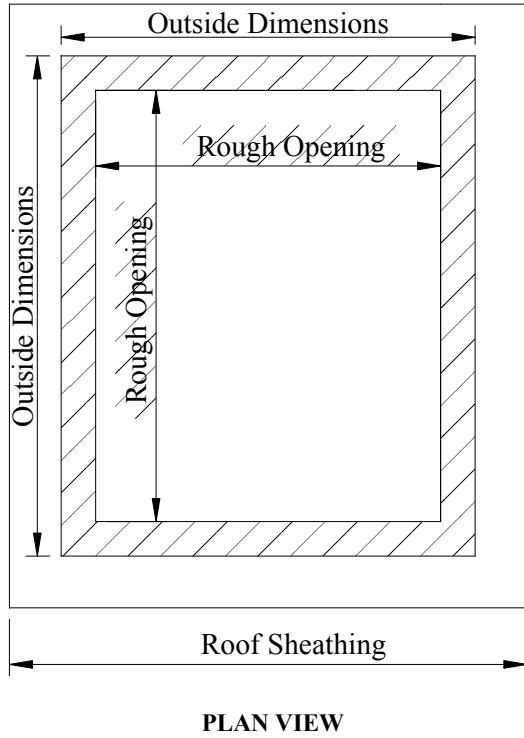
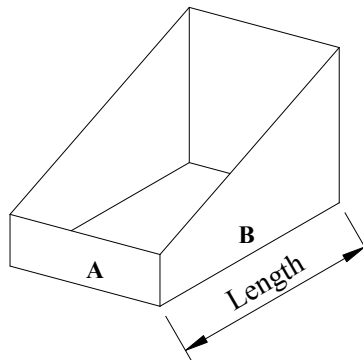


**FLAT ROOF / LOW PITCH
CURB MOUNT FIXED OR VENTED
Installation Details**

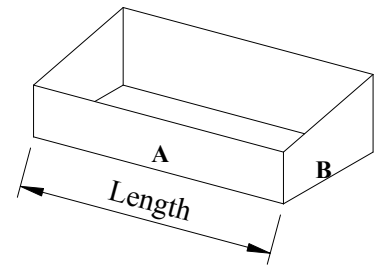


NOTE:

* Both **ICD** and **OCD** are required order dimensions



UP TO 48" IN LENGTH



OVER 48" IN LENGTH

Model: A x B CMG-TB-FR,

[Glz], [Finish]

 C x D



TITLE: STARLIGHT SKYLIGHTS PREMIUM RESIDENTIAL;
FLAT ROOF CURB MOUNT FIXED OR VENTED
(Installation details)

Date:	May 01, 2003	
Drawn By	AP	Sheet:
Rev. By	CRH	1 of 1
Engineer:	CRH	

ORCA Manufacturing, Inc.
P.O. Box 2186
Easton, MD 21601
Phone: 800-776-1539