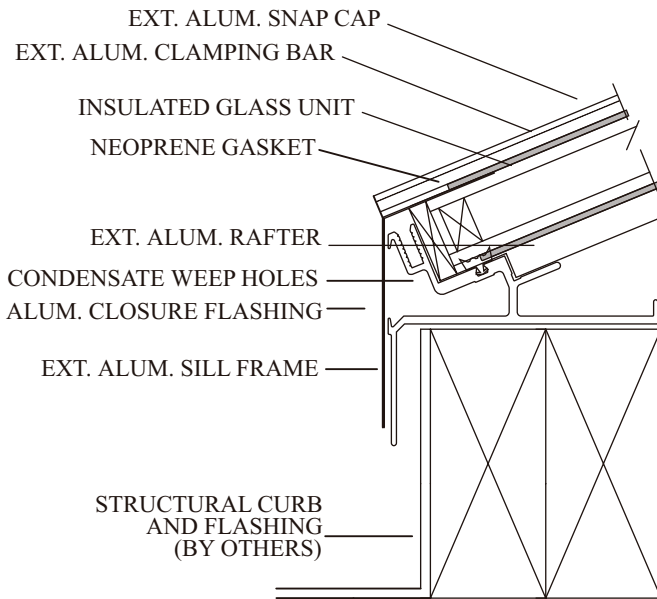


F  
I

HIP RAFTER DETAIL

SCALE: NTS



A  
I

OCTAGON SILL DETAIL

SCALE: NTS



TITLE: STRUCTURAL LIGHT SYSTEM -DETAILS-

Date: January 15, 2004

Drawn By AP

Sheet:

3 of 3

Rev. By CRH

Engineer: CRH

ORCA Manufacturing, Inc.  
P.O. Box 2186  
Easton, MD 21601  
Phone: 800-776-1539