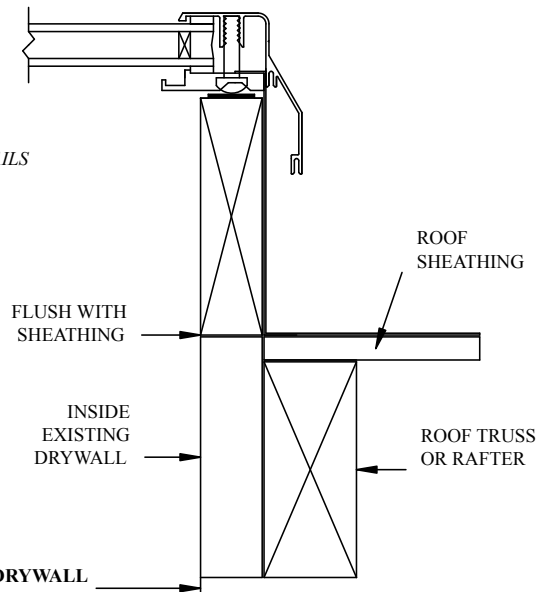


**STANDARD - NEW CONSTRUCTION  
(ORDER BY ROUGH OPENING (R.O.))**  
*Unit outside dimensions will be 1/2" smaller than the (R.O.) for clearance*



**FLUSH NO GROOVE - REMODELING  
(ORDER BY INSIDE DRYWALL DIMENSION)**  
*Unit inside dimensions will be same as inside drywall dimension to minimize trimming out*

**Model:**   A  x  B  F, [ Glz ], [ Finish ]



<b>TITLE:</b> STARLIGHT SKYLIGHTS; FIXED PREMIUM RESIDENTIAL SKYLIGHT		
Date:	May 01, 2003	
Drawn By:	AP	Sheet:
Rev. By:	CRH	1 of 1
Engineer:	CRH	
ORCA Manufacturing, Inc. P.O. Box 2186 Easton, MD 21601 Phone: 800-776-1539		