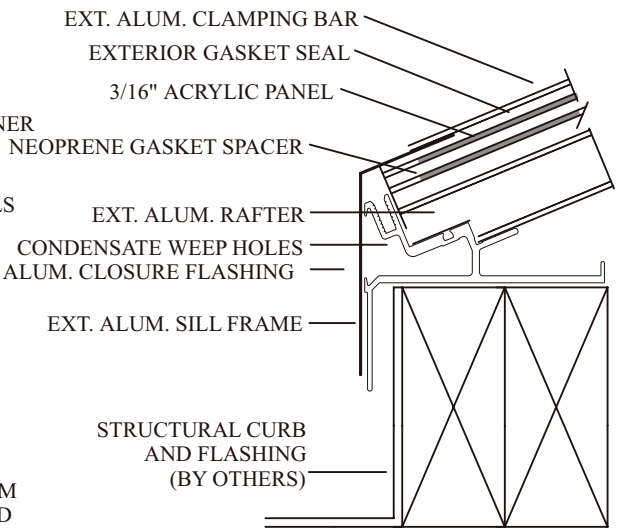
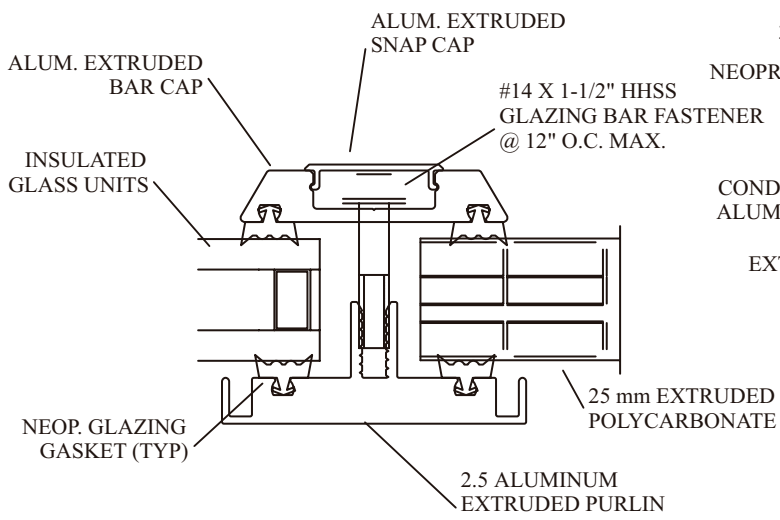


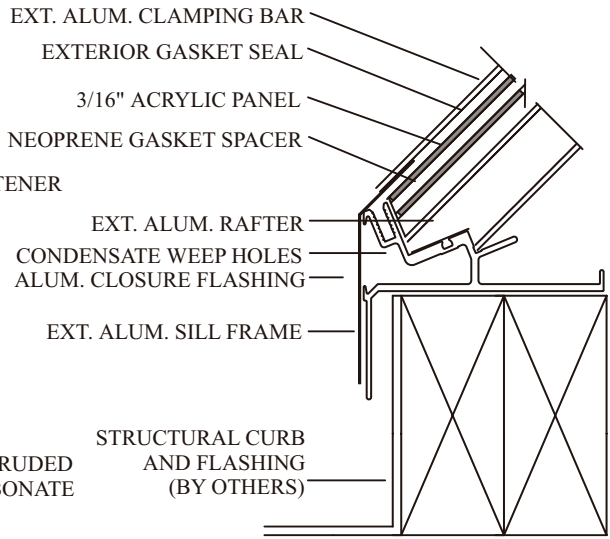
**F**  
1  
**HIP RAFTER DETAIL**  
SCALE: NTS



**A**  
1  
**RIDGE LIGHT SILL DETAIL**  
SCALE: NTS



**E**  
1  
**PURLIN DETAIL**  
SCALE: NTS



**B**  
1  
**BARREL VAULT SILL DETAIL**  
SCALE: NTS



<b>TITLE:</b> STRUCTURAL LIGHT SYSTEM -DETAILS-		
Date:	January 01, 2004	
Drawn By:	AP	Sheet: 1 of 2
Rev. By:	CRH	
Engineer:	CRH	
ORCA Manufacturing, Inc. P.O. Box 2186 Easton, MD 21601 Phone: 800-776-1539		