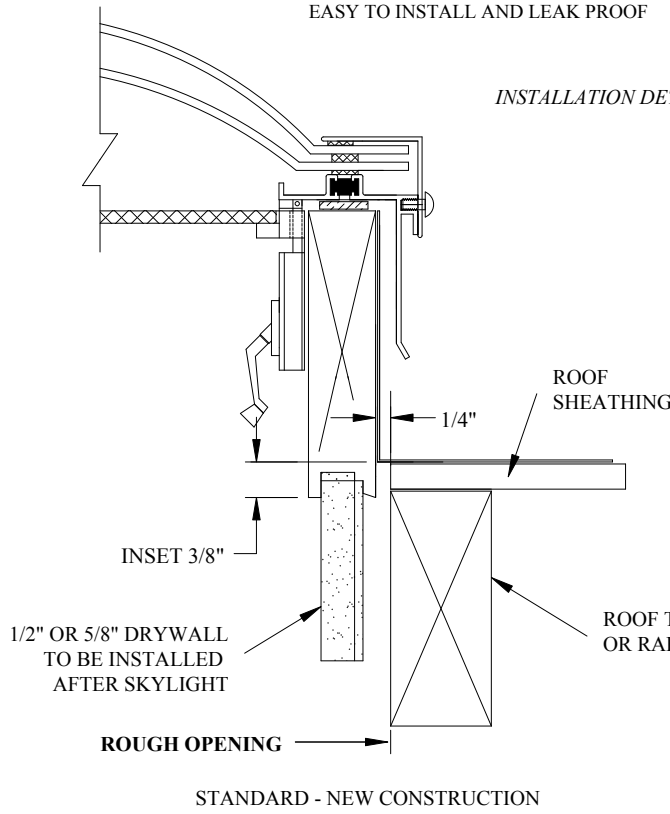
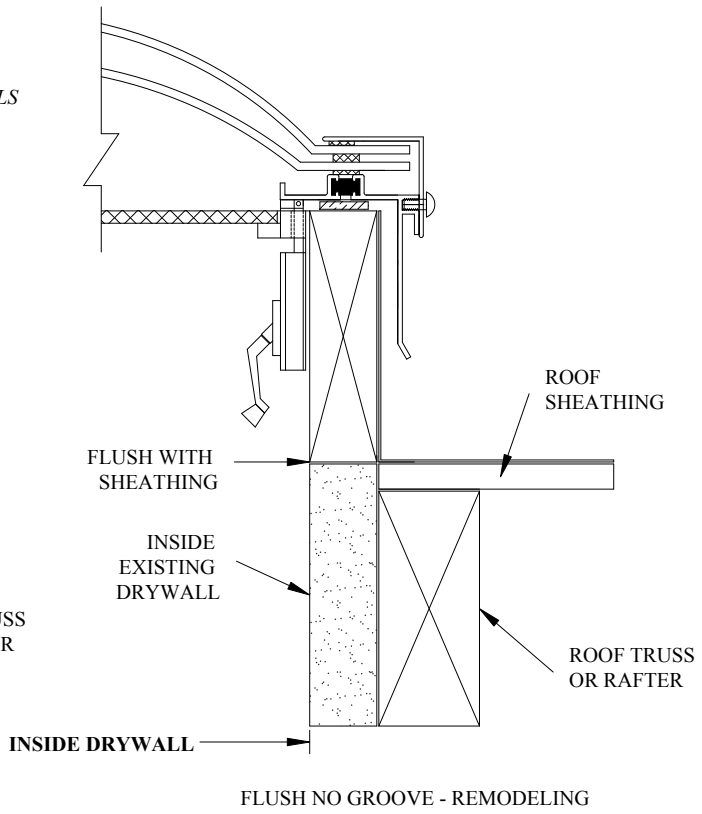


INSTALLATION DETAILS



(ORDER BY ROUGH OPENING (R.O.))
 Unit outside dimensions will be 1/2" smaller than the (R.O.) for clearance



(ORDER BY INSIDE DRYWALL DIMENSION)
 Unit inside dimensions will be same as inside drywall dimension to minimize trimming out

Model: A x B VCMA-TB-SS, [Glz], [Finish]



TITLE:		STARLIGHT SKYLIGHTS; ACRYLIC VENTING PREMIUM RESIDENTIAL SKYLIGHT	
Date:	May 01, 2003		
Drawn By:	AP	Sheet:	
Rev. By:	CRH	1 of 1	
Engineer:	CRH		

ORCA Manufacturing, Inc.
 P.O. Box 2186
 Easton, MD 21601
 Phone: 800-776-1539