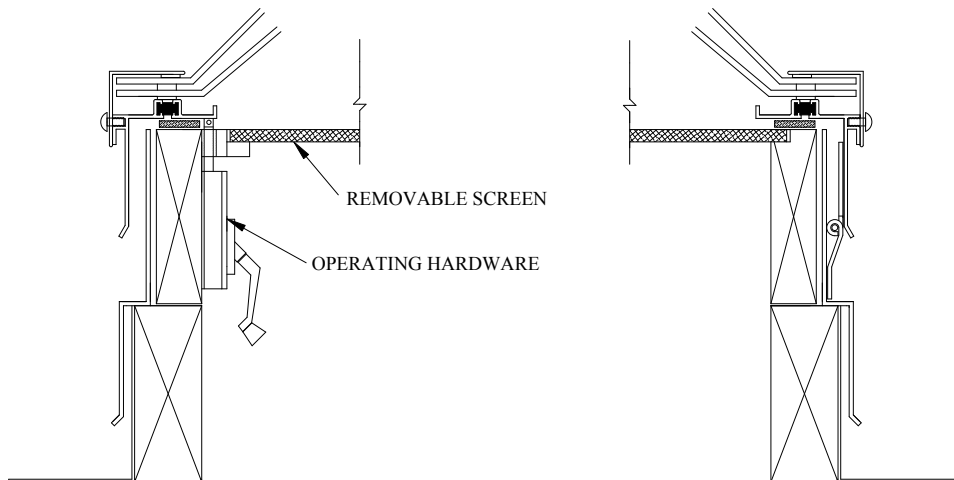


NOTE:

- * Both ICD & OCD are required order dimensions
- * 1/12 or greater pitch required or use Flat Roof System as an option



VENTING - CURB MOUNT ACRYLIC - Specification:

Venting- Curb Mount Acrylic; Thermally Broken, as manufactured by **ORCA Manufacturing, Inc.**, with seal insulated double acrylic domes (Bronze over Clear standard, White tint available as an option) in a welded thermally broken, extruded aluminum sash. Finish in bronze or mill, (or white gloss enamel as an option).

Model: A x B V-CMA-TB, [Glz], [Finish] C x D



TITLE: VENTING - CURB MOUNT ACRYLIC, THERMALLY BROKEN

Date: May 01, 2003

Drawn By: AP Sheet: 1 of 1

Rev. By: CRH

Engineer: CRH

ORCA Manufacturing, Inc.
P.O. Box 2186
Easton, MD 21601
Phone: 800-776-1539