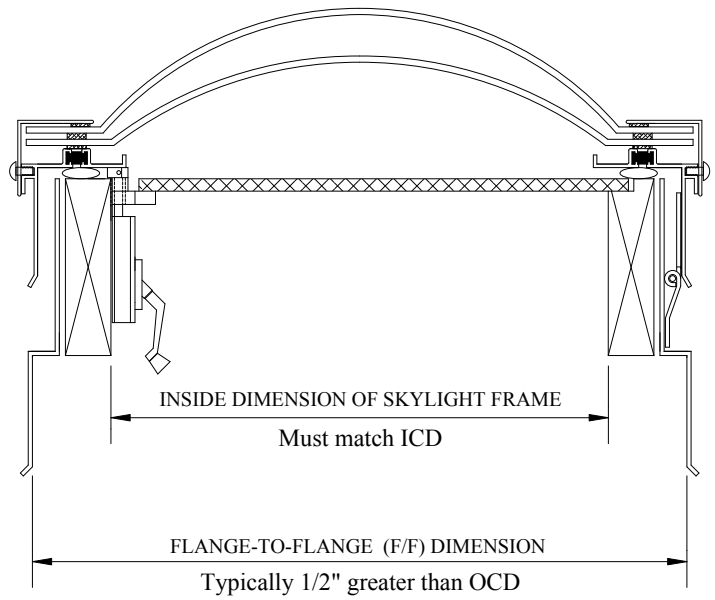
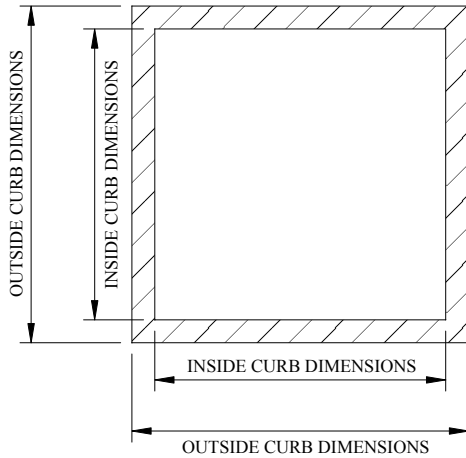


PLAN VIEW

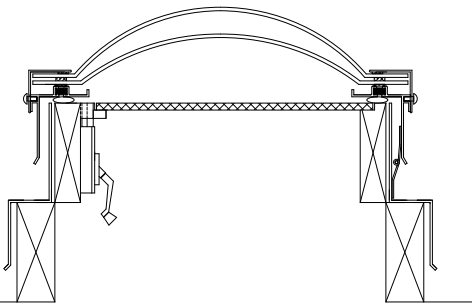
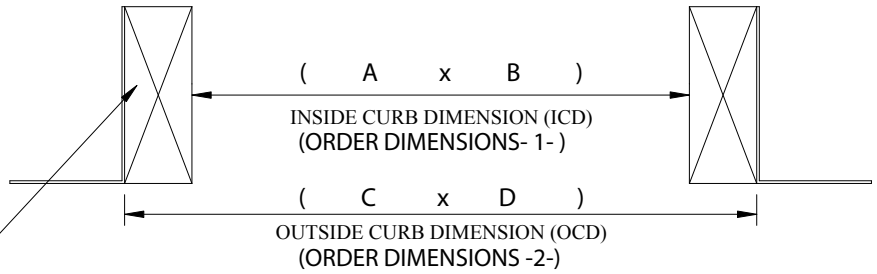


NOTE:

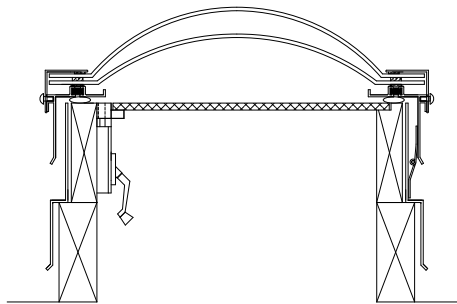
* Existing curb to be 2 x 4s, if other please advise.

* Both **ICD** & **OCD** are required order dimensions

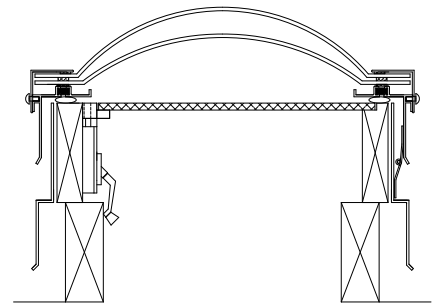
EXISTING CURB INCLUDING ROOF MATERIALS (BY OTHERS)



SKYLIGHT TOO SMALL
NO SUPPORT



CORRECT FIT



SKYLIGHT TOO LARGE
HARDWARE OBSTRUCTED

Model: A x B V-CMA-TB,

[Glz], [Finish]

 C x D



TITLE: VENTING-CURB MOUNT-ACRYLIC, THERMALLY BROKEN. (ORDER FORM)

Date: May 01, 2003

Drawn By: AP

Sheet:

Rev. By: CRH

1 of 1

Engineer: CRH

ORCA Manufacturing, Inc.
P.O. Box 2186
Easton, MD 21601
Phone: 800-776-1539